



METALLIC FILTERS IN STEEL AND SPECIALITY ALLOYS

CHEMICAL, PHARMACEUTICAL, PETROCHEMICAL AND PROCESS INDUSTRY



FILTRATION AND SEPARATION SOLUTIONS



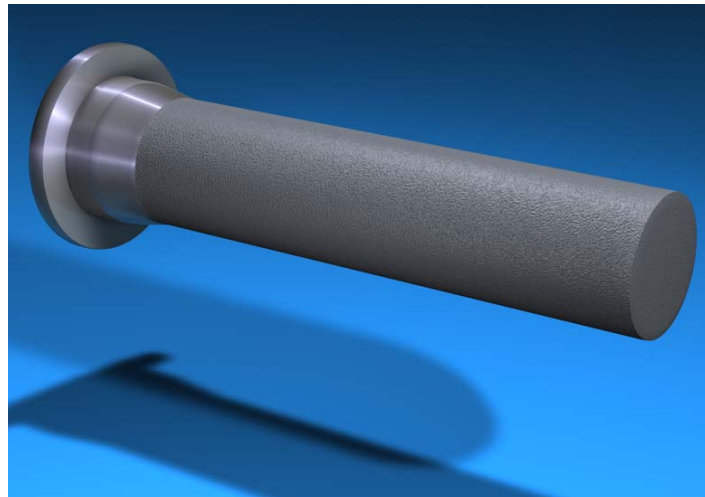
METALLIC FILTERS IN STEEL AND SPECIALITY ALLOYS

CHEMICAL, PHARMACEUTICAL, PETROCHEMICAL AND PROCESS INDUSTRY

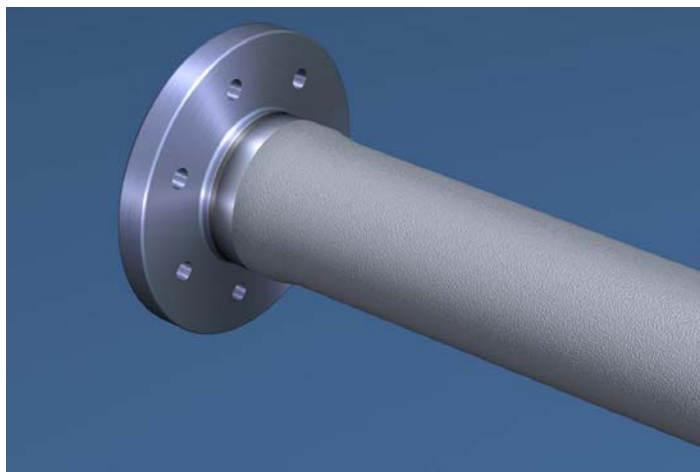
100% seamless construction

– no welding seams on porous body

- excellent back pulse performance
- long live time
- high flow rates
- extremely high collapse pressure
- submicron pore sizes available
- broad range of alloys available
- customized fittings
- standard filter design



Seamless – No Weld Design



SS Membrane for Surface Filtration

100% seamless construction

- no welding seams on porous body
- direct replacement of ceramic possible with less filter surface.

Applications

- Catalyst recovery filters in petrochemical plants
- Hydrogen peroxide
- Caprolactam



METALLIC FILTERS IN STEEL AND SPECIALITY ALLOYS

CHEMICAL, PHARMACEUTICAL, PETROCHEMICAL AND PROCESS INDUSTRY

Wide Range to Select From

Micron Ratings : 0.5, 1, 2, 5, 10, 20, 40 Microns

Outer Diameters : 70, 65, 58, 40 mm – or suitable as per requirement – specials also possible on quantity orders

Material Of Constructions: Alloy Steels, Special alloys Inconel, Hastelloy etc.



DOE common design for API and Pharma



Wide Range of Connectors

End Connection : Double 'O' Ring, Flat Gasket, Threaded, or as per design

FILTRATION AND SEPARATION SOLUTIONS

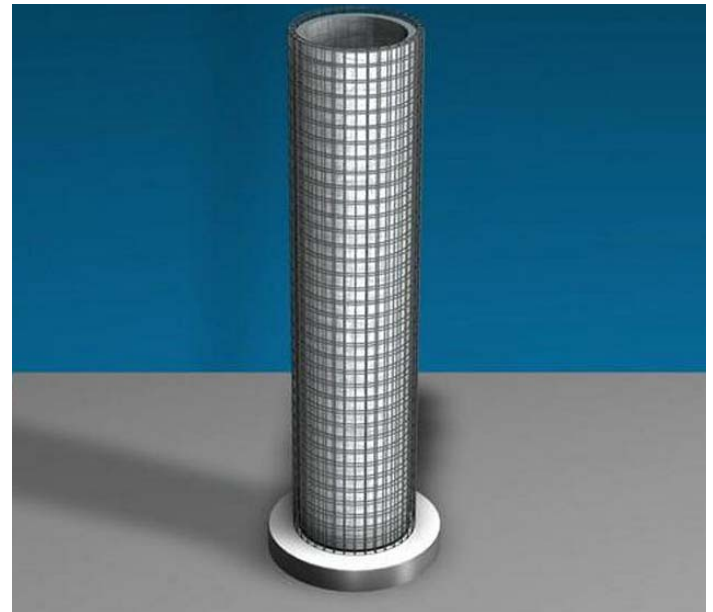


METALLIC FILTERS IN STEEL AND SPECIALITY ALLOYS

CHEMICAL, PHARMACEUTICAL, PETROCHEMICAL AND PROCESS INDUSTRY

Industrial Gas Filtration

- Catalyst Recovery
- Ammonia Hot Gas Mixture
- Flue gas Filtration
- Compressed Gases
- Cryogenic Applications
- Gas filters for chemical processing and semiconductor manufacturing applications



Flue gas particulate Filters



Hot Gas Air + Ammonia Filters

Configurations

- Pleated
- Cylindrical welded
- SS Fiber Mesh
- Wire-mesh Supported Fiber



METALLIC FILTERS IN STEEL AND SPECIALITY ALLOYS

CHEMICAL, PHARMACEUTICAL, PETROCHEMICAL AND PROCESS INDUSTRY

Modular Design

- Proprietary design allows us to make filters as long as 3 mts
- Cross-Flow Filtration tubes in sub-micron range also available



Lengths more than 3000 mm possible



Pleated Filter with Back-Pulsing

Pleated Metallic Candles

- Back flushable with Outer Cage Support
- Graded Density Media
- 100% Bubble Point Integrity Tested
- Metallic Construction
- Superior Chemical Compatibility
- Excellent Mechanical Strength
- Extended On-Stream Life
- High Thermal Tolerance
- Regenerable

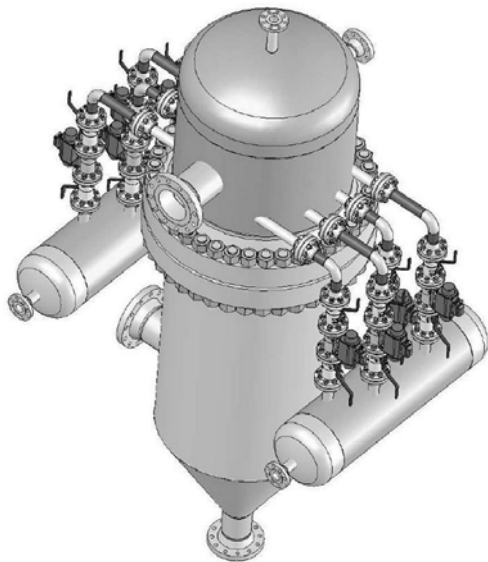
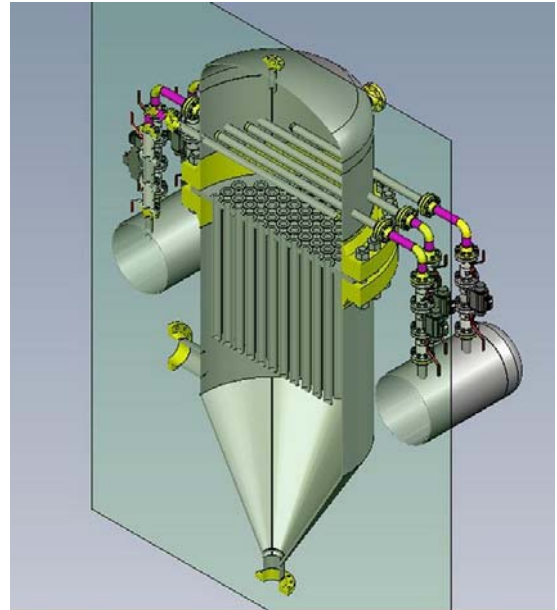
FILTRATION AND SEPARATION SOLUTIONS

METALLIC FILTERS IN STEEL AND SPECIALITY ALLOYS

CHEMICAL, PHARMACEUTICAL, PETROCHEMICAL AND PROCESS INDUSTRY

Turnkey Solutions

- Closed system: Helps reduce operator exposure to hazardous materials
- Accessibility: Easy access to elements from top
- Compact Design: Element bundle is removable as an assembly
- Coded Vessels: Filter areas up to 200 m², withstands differential pressure as high as 300 Kg/cm². Designed generally in accordance with ASME section VIII.



Applications

- Contufilt assembly for cake Filtration
- Pt/C, Pd/C, Rh/C , Raney Ni –Precious Metal catalysts
- Slurry Oil in Refining
- Inorganic bromide salts
- Copper Chromite catalyst recovery
- Ion exchange filtration applications
- Hot gas in Polysilicon

METALLIC FILTERS IN STEEL AND SPECIALITY ALLOYS

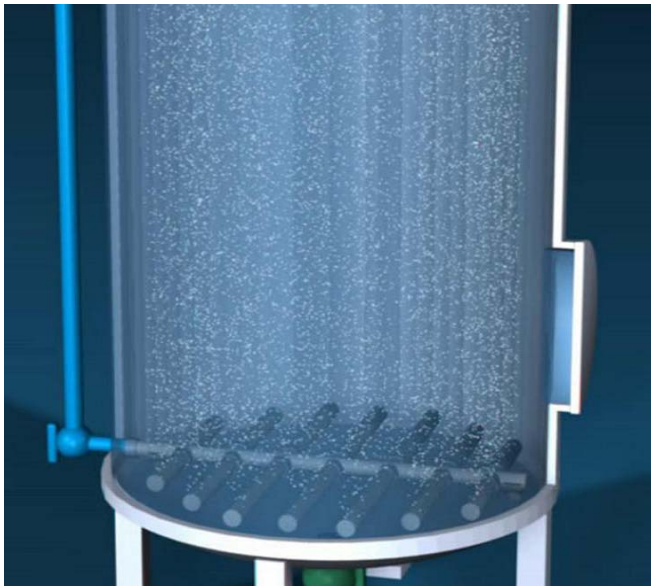
CHEMICAL, PHARMACEUTICAL, PETROCHEMICAL AND PROCESS INDUSTRY

Liquid - Gas Interphase reactions

- Spargers
- Carbonation
- Aeration of sewage effluent
- Intake air into fermentation processes
- Hydrogenation in refinery cracking operations



Ring Spargers and laterals



Safety Compliances

Blanketing with Inert Gases

- Storage tanks
- Introducing nitrogen into food products such as beverages and cooking oils to remove oxygen and extend shelf life

METALLIC FILTERS IN STEEL AND SPECIALITY ALLOYS

CHEMICAL, PHARMACEUTICAL, PETROCHEMICAL AND PROCESS INDUSTRY

Chromatography Solutions

- Solvent filters for chromatography systems
- Discs and Filter Tubes



Complete Porous media for Instrumentation

- Flow Restrictors
- Gas Analyzers
- Sensor covers to protect delicate instruments in harsh environments
- Smoke stacks and exhaust pipes
- Line filters for chemical analyzers
- Syringe filters



METALLIC FILTERS IN STEEL AND SPECIALITY ALLOYS

CHEMICAL, PHARMACEUTICAL, PETROCHEMICAL AND PROCESS INDUSTRY



FILTRATION AND SEPARATION SOLUTIONS



METALLIC FILTERS IN STEEL AND SPECIALITY ALLOYS

CHEMICAL, PHARMACEUTICAL, PETROCHEMICAL AND PROCESS INDUSTRY

About

Diva Envitec Europe Ltd

Diva Envitec Europe Ltd. having offices in Peterborough in UK and Mumbai, India, is a leading global filtration and separation company. We offer a wide range of filtration and separation systems, products and services in market sectors including pharmaceutical, API, Biotech, F&B, Brewery, Winery, Distillery, Chemical, Fine Chemical, Sugar, Cement, Iron and Steel. We serve leading and reputed companies across many industries.

We work with you to understand your needs and to enable and implement key technical requirements in your manufacturing processes. We deliver practical solutions to generate productivity, ensure error-free operations and help you manage your process effectively.

Our commitment to delivering measurable results is unparalleled, as is our dedication to transferring knowledge. Our experience translates to your results.

To find out more about how Diva Envitec Europe Ltd. can inspire your next success, please call +91-22-28712926 or +91- 98333-93837 or visit us at www.aboutfilter.com



Diva Envitec Europe Ltd.

14 Mercian court, Stanground
Peterborough, PE2 8LF
Cambridgeshire - United Kingdom
T : +44 203 2866558
Mobile : +44 7947730137
W www.aboutfilter.com

Diva Envitec Pvt Ltd.

4/31, Road No.2 Siddharth Nagar 5
Near Prabodhan Krida kendra
Goregaon(W), Mumbai 400 104. INDIA
T +91-22-2871 2926, 3292 2643
F +91-22-2871 2926
E info@aboutfilter.com

© 2010 Diva Envitec Europe Ltd. All rights reserved. "Filter Essentials. Feel The Difference" and "Knowledge Filtered Into Action" are service marks of Diva Envitec Europe Ltd. Diva Envitec Europe Ltd., ContuFilt, Ekhi, Mag-FILT, SCEF, PMF and the Diva Envitec Filtration Technologies Pvt Ltd. logo are either trademarks or registered trademarks of Diva Envitec Europe Ltd in UK, India and/or other countries.

FILTRATION AND SEPARATION SOLUTIONS